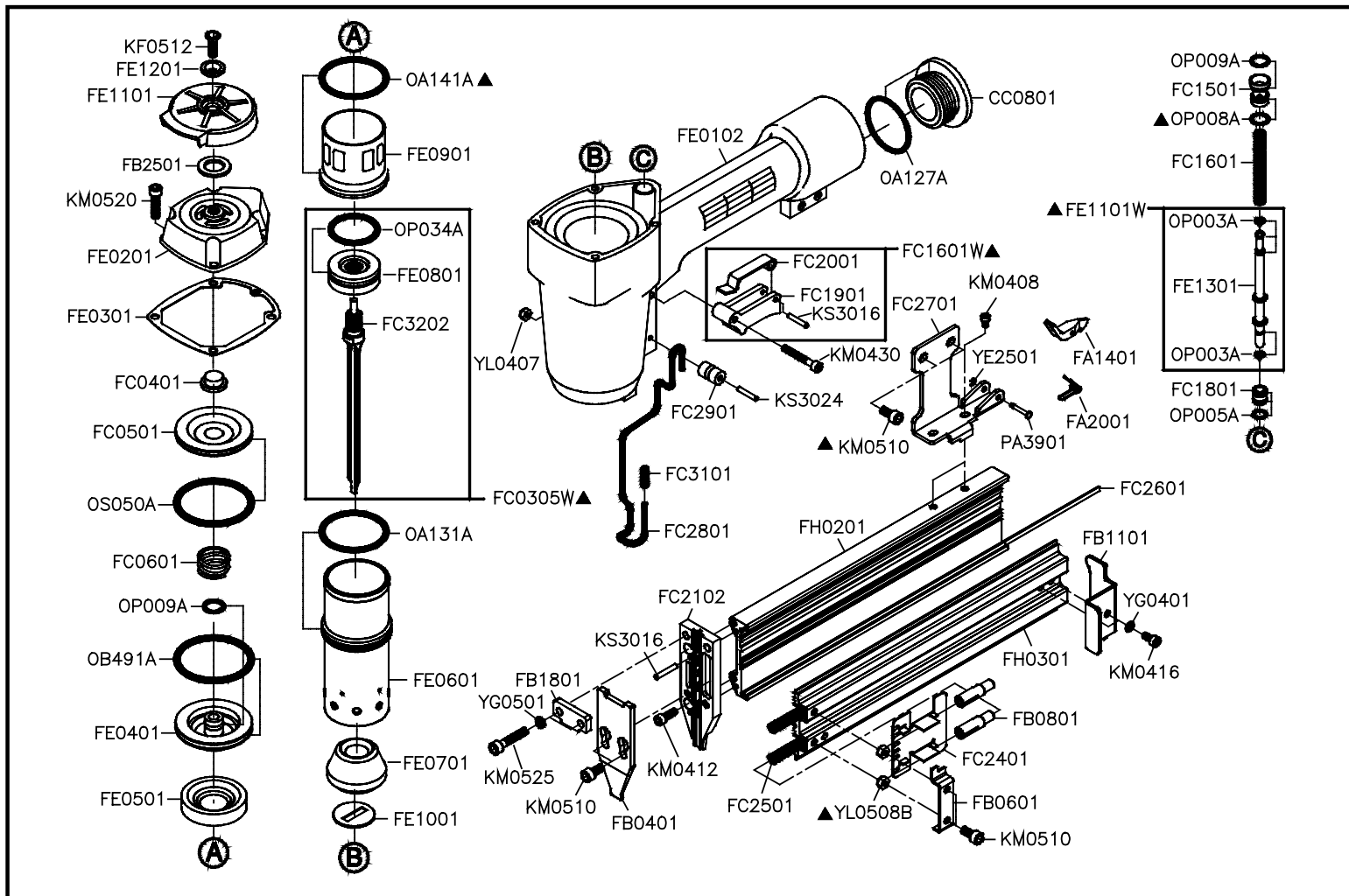


F16/50B06 (FC/S1-06)



Part_No	Description	Spec	Q'ty	Part_No	Description	Spec	Q'ty	Part_No	Description	Spec	Q'ty
CC0801	END CAP		1	FC2801	UPPER SAFETY		1	KM0430	HEX.SOC.HD.BOLT	M4×0.7 - 30L	1
FA1401	LATCH		1	FC2901	ROLLER		1	KM0510	HEX.SOC.HD.BOLT	M5×0.8 - 10L	6
FA2001	SPRING		1	FC3101	COMPRESSION SPRING		1	KM0520	HEX.SOC.HD.BOLT	M5×0.8 - 20L	4
FB0401	COVER PLATE(B)		1	FC3202	DRIVER		1	KM0525	HEX.SOC.HD.BOLT	M5×0.8 - 25L	2
FB0601	MAGAZINE RETAINER		1	FE0102	BODY		1	KS3016	SPRING PIN	3-16L	3
FB0801	PUSHER PIN		2	FE0201	CYLINDER CAP		1	KS3024	SPRING PIN	3-24L	1
FB1101	STOP PLATE		1	FE0301	CAP SEAL		1	OA127A	O-RING	ARP568-127	1
FB1801	COVER PLATE(A)		1	FE0401	HEAD VALVE SEAT		1	OA131A	O-RING	ARP568-131	1
FB2501	PISTON STOP		1	FE0501	GASKET		1	OA141A	O-RING	ARP568-141	1
FC0305W	DRIVER ASSY.		1	FE0601	CYLINDER		1	OB491A	O-RING	49.1×2.5	1
FC0401	PISTON STOP		1	FE0701	BUMPER		1	OP003A	O-RING	P3	3
FC0501	HEAD VALVE CAP		1	FE0801	MAIN PISTON		1	OP005A	O-RING	P5	2
FC0601	COMPRESSION SPRING		1	FE0901	COLLAR		1	OP008A	O-RING	P8	1
FC1501	TRIGGER VALVE CAP		1	FE1001	NOZZLE		1	OP009A	O-RING	P9	2
FC1601	COMPRESSION SPRING		1	FE1101	EXHAUST CAP		1	OP034A	O-RING	P34	1
FC1601W	TRIGGER ASSY.		1	FE1101W	TRIGGER VALVE ASSY.		1	OS050A	O-RING	S-50	1
FC1801	TRIGGER VALVE SEAT		1	FE1201	EXHAUST CAP RING		1	PA3901	PIN		1
FC1901	TRIGGER		1	FE1301	TRIGGER VALVE STEM		1	YE2501	E-RING	2.5	1
FC2001	CONTACT LEVER		1	FH0201	MAGAZINE SEAT		1	YG0401	SPRING WASHER	4	2
FC2102	GUIDE PLATE		1	FH0301	MAGAZINE CAP		1	YG0501	SPRING WASHER	5	2
FC2401	PUSHER		1	KF0512	FLAT HD.BOLT	M5×0.8 - 12L	1	YL0407	LOCK NUT	M4×0.7	1
FC2501	PUSHER SPRING		2	KM0408	HEX.SOC.HD.BOLT	M4×0.7 - 8L	2	YL0508B	LOCK NUT	M5×0.8	2
FC2601	BAR		1	KM0412	HEX.SOC.HD.BOLT	M4×0.7 - 12L	2				
FC2701	SUPPORT		1	KM0416	HEX.SOC.HD.BOLT	M4×0.7 - 16L	2				

If you need to order parts, please mark both Parts No. and Description.